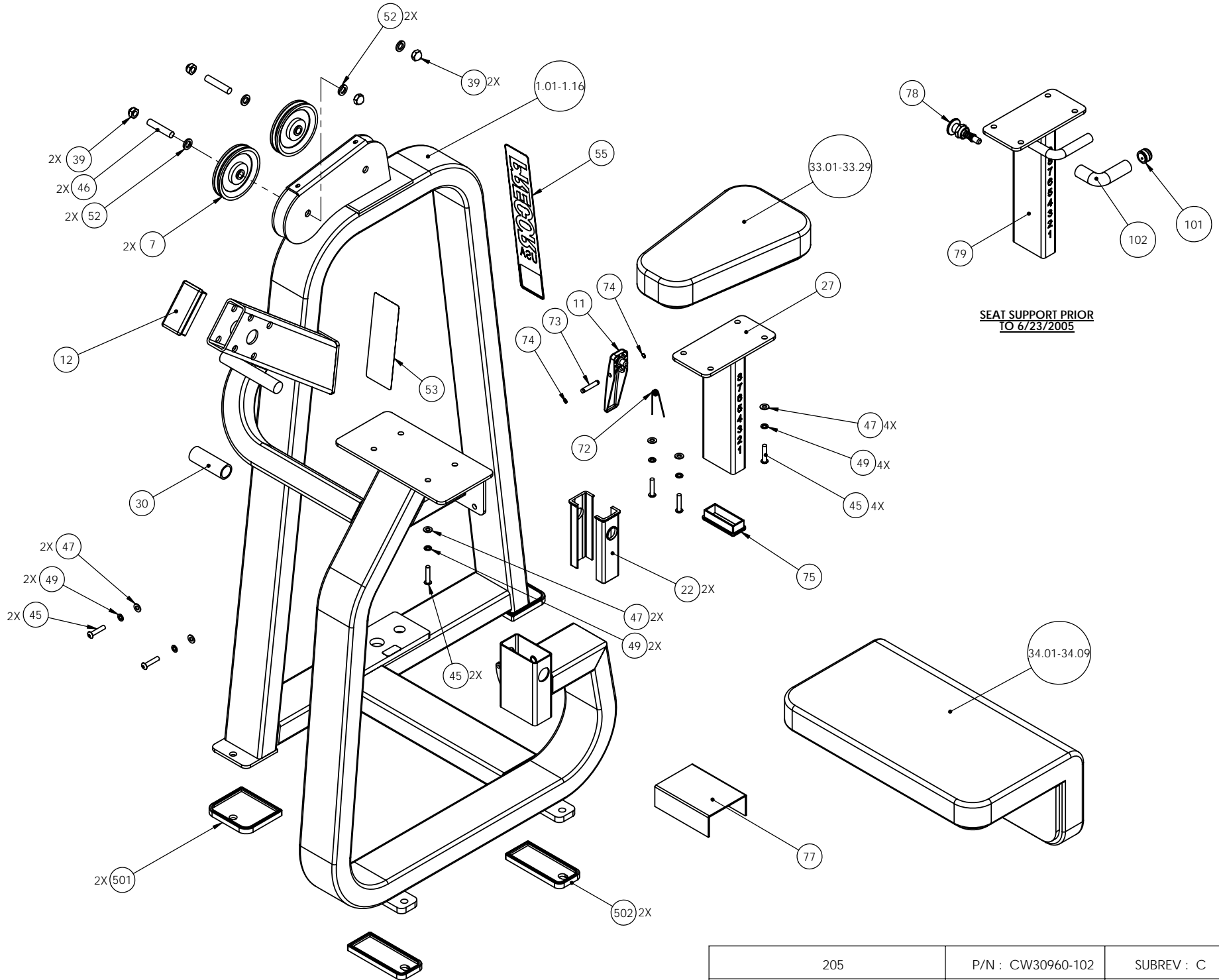
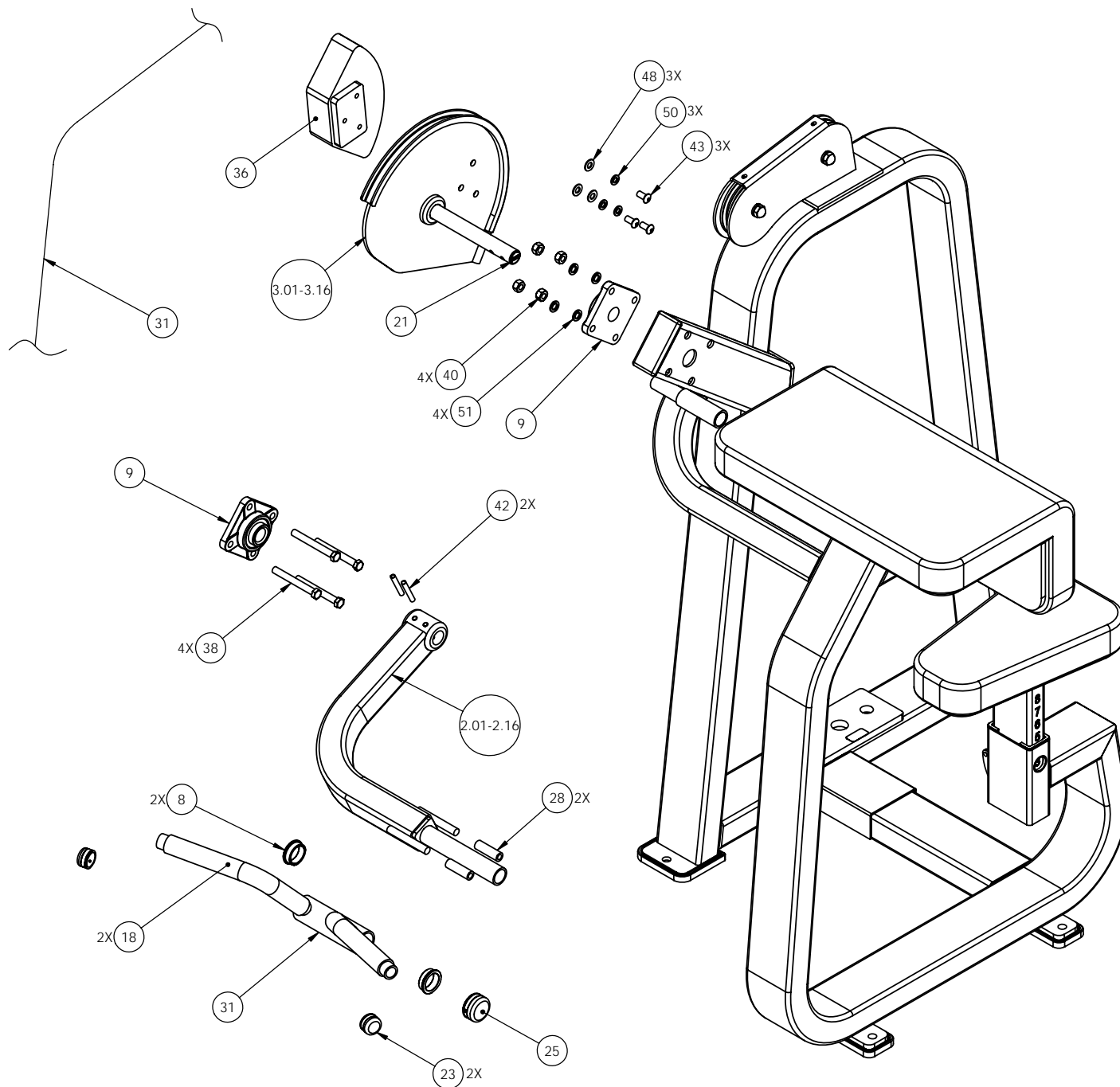


205	P/N : CW30960-102	SUBREV : C
DRAWN BY : CT	DATE : 11.07.05	SHEET 1 OF 4

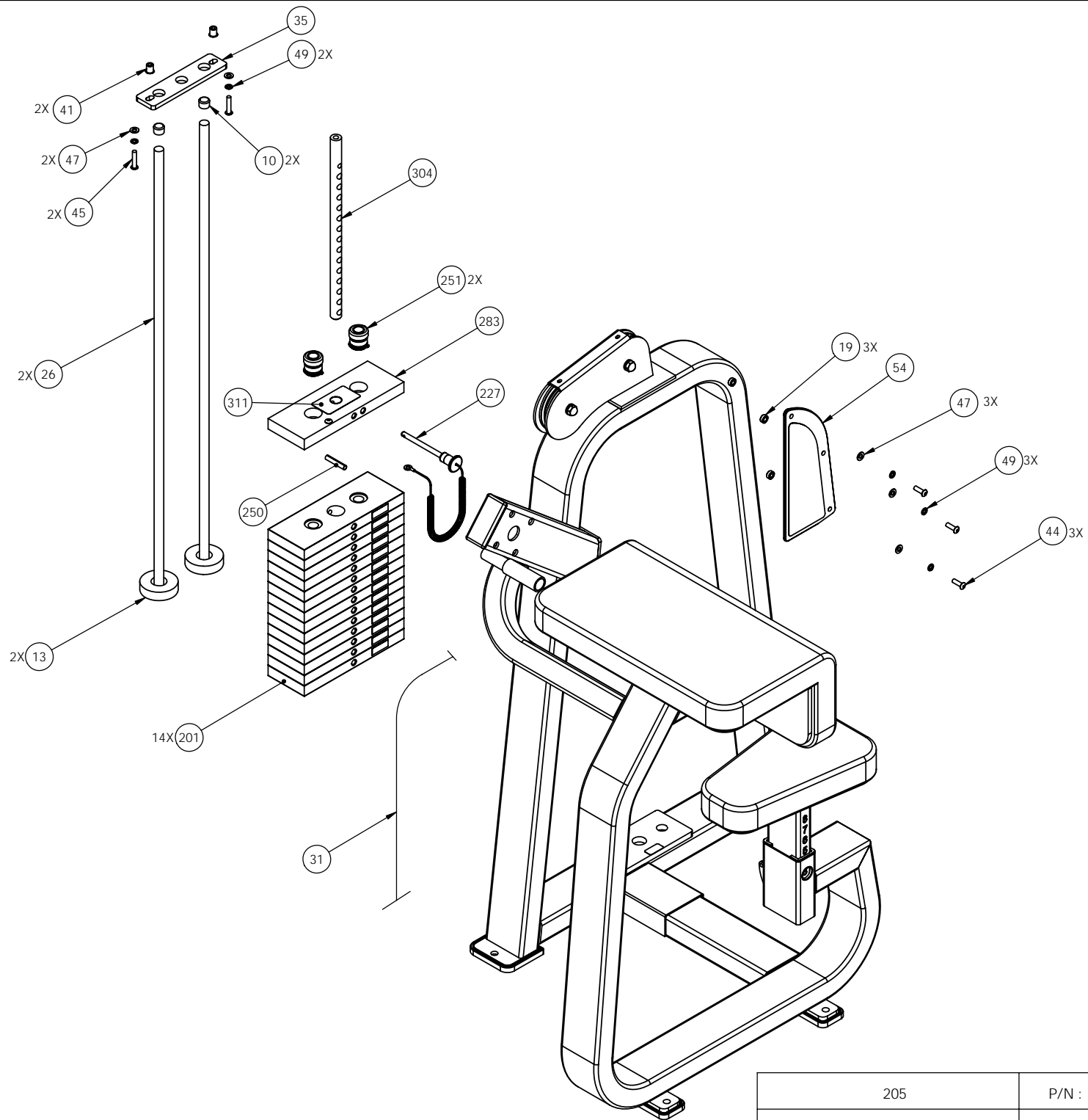


**SEAT SUPPORT PRIOR  
TO 6/23/2005**

205	P/N : CW30960-102	SUBREV : C
DRAWN BY : CT	DATE : 11.07.05	SHEET 2 OF 4



205	P/N : CW30960-102	SUBREV : C
DRAWN BY : CT	DATE : 11.07.05	SHEET 3 OF 4



205	P/N : CW30960-102	SUBREV : C
DRAWN BY : CT	DATE : 11.07.05	SHEET 4 OF 4

**205 Bicep Curl**

<b>Part Number</b>	<b>Description</b>	<b>Bubble Number</b>
CW205SA1-211	ASSY,FRAME,MAIN,205,SKY WHITE	1.01
CW205SA1-212	ASSY,FRAME,MAIN,205,SKY WHITE	1.01
CW205SA1-221	ASSY,FRAME,MAIN,205,BLACK	1.02
CW205SA1-222	ASSY,FRAME,MAIN,205,BLACK	1.02
CW205SA1-231	ASSY,FRAME,MAIN,205,RED	1.03
CW205SA1-241	ASSY,FRAME,MAIN,205,PLATINUM SPRKLE	1.04
CW205SA1-251	ASSY,FRAME,MAIN,205,SILVER	1.05
CW205SA1-261	ASSY,FRAME,MAIN,205,BLUE	1.06
CW205SA1-271	ASSY,FRAME,MAIN,205,CHARCOAL	1.07
CW205SA1-281	ASSY,FRAME,MAIN,205,CATHEDRAL GRAY	1.08
CW205SA1-291	ASSY,FRAME,MAIN,205,SILVER VIEN	1.09
CW205SA1-311	ASSY,FRAME,MAIN,205,STONE HG	1.11
CW205SA1-312	ASSY,FRAME,MAIN,205,STONE HG	1.11
CW205SA1-321	ASSY,FRAME,MAIN,205,TITANIUM HG	1.12
CW205SA1-322	ASSY,FRAME,MAIN,205,TITANIUM HG	1.12
CW205SA1-331	ASSY,FRAME,MAIN,205,WHITE GLOSS	1.13
CW205SA1-341	ASSY,FRAME,MAIN,205,BLACK ONYX	1.14
CW205SA1-351	ASSY,FRAME,MAIN,205,LIGHT BRONZE	1.15
CW205SA1-352	ASSY,FRAME,MAIN,205,LIGHT BRONZE	1.15
CW205SA1-361	ASSY,FRAME,MAIN,205,SAPPHIRE BLUE	1.16
CW205SA1-362	ASSY,FRAME,MAIN,205,SAPPHIRE BLUE	1.16
CW204205SA3-211	ASSY, ARM, 204/205,SKY WHITE	2.01
CW204205SA3-221	ASSY, ARM, 204/205,BLACK	2.02
CW204205SA3-231	ASSY, ARM, 204/205,RED	2.03
CW204205SA3-241	ASSY, ARM, 204/205,PLAT SPKLE	2.04
CW204205SA3-251	ASSY, ARM, 204/205,SILVER	2.05
CW204205SA3-261	ASSY, ARM, 204/205,BLUE	2.06
CW204205SA3-271	ASSY, ARM, 204/205,CHARCOAL	2.07
CW204205SA3-281	ASSY, ARM, 204/205,CATH GRY	2.08
CW204205SA3-291	ASSY, ARM, 204/205,SILVER VIEN	2.09
CW204205SA3-311	ASSY, ARM, 204/205,STONE GRAY, HG	2.11
CW204205SA3-321	ASSY, ARM, 204/205,TITANIUM HG	2.12
CW204205SA3-331	ASSY, ARM, 204/205,WHITE GLOSS	2.13
CW204205SA3-341	ASSY, ARM, 204/205,BLACK ONYX	2.14
CW204205SA3-351	ASSY, ARM, 204/205,LIGHT BRONZE	2.15
CW204205SA3-361	ASSY, ARM, 204/205,SAPPHIRE BLUE	2.16
CW205SA4-211	ASSY,CAM,205, SKY WHITE	3.01
CW205SA4-221	ASSY,CAM,205, BLACK	3.02
CW205SA4-241	ASSY,CAM,205, PLATINUM SPARKLE	3.04
CW205SA4-251	ASSY,CAM,205,SILVER	3.05
CW205SA4-261	ASSY,CAM,205,BLUE	3.06
CW205SA4-271	ASSY,CAM,205,CHARCOAL	3.07
CW205SA4-281	ASSY,CAM,205,CATHEDRAL GRAY	3.08
CW205SA4-291	ASSY,CAM,205,SILVER VEIN	3.09
CW205SA4-311	ASSY,CAM,205,STONE HG	3.11
CW205SA4-321	ASSY,CAM,205,TITANIUM HG	3.12
CW205SA4-331	ASSY,CAM,205,WHITE GLOSS	3.13
CW205SA4-341	ASSY,CAM,205,BLACK ONYX	3.14
CW205SA4-351	ASSY,CAM,205,LIGHT BRONZE	3.15

CW205SA4-361	ASSY,CAM,205,SAPPHIRE BLUE	3.16
CW30024-101	LABEL,INSTRUCTION,205	4
CWAC1001-101	LABEL, "ICARIAN", 1 1/2 X 8 1/8	5
CWAC1002-101	LABEL, "ICARIAN", 3 X 16 3/8	6
CWAC1009-101	PULLEY, 4 1/2 DIA. X 1/2 ID	7
CW10043-135	BUSHING, BRONZE, 1 1/4" ID X 1 1/2"	8
CW12405-101	PILLOW BLOCK, BEARING, FLANGE, 4 BO	9
CW12404-101	CAP, GUIDE ROD,DIA 3/4, BLK	10
CW11311-102	ENDCAP, REC TUBE, 2X4, BLK PLASTIC	12
CW12402-101	BUMPER, WEIGHT STACK, BLK RUBBER	13
CWAC1164-101	LABEL, F.P.I. SERIAL NUMBER	15
CWGR2611-000	GRIP,RUBBER, 1" DIA, 11"	18
CWAC1228-901	SPACER, ALU,.328 ID X .625 OD X .25	19
CW30007-101	PLACARD, CLEAR LEXAN, ANGLED	20
CWAC1230-101	PLACARD,INSTRUCTION,1/4 TEXTURED AB	20
CWAC1232-101	LABEL, ROUND, "PIVOT"	21
CWAC1236-102	GUIDE INSERT, PLASTIC WITH HOLE, BL	22
CWAC218-901	HANDLE END CAP W/SET SCREWS, DIA 1"	23
CWAC221-901	SHAFT END CAP W/SET SCREWS, DIA 1 1	25
CWPF1212-711	GUIDE ROD, 3/4 X 42 5/8 (#4), CHM	26
CW32215-711	ASSEMBLY, SEAT ADJUSTMENT, 8 HOLE,	27
CW10340-200	TUBE, VINYL, 5/8 OD X 3/8 ID X 2.0	28
CWAC1236-101	GUIDE INSERT, PLASTIC WITHOUT HOLE,	29
CWGR2603-500	GRIP,RUBBER,1" DIA X 3 1/2"	30
CWCLGH056-125	ASSY, CABLE, 205	31
CW30182-721	ASSY,CAMBER & BICEP CURL HANDLE,WRN	32
CWPD1207A-101	PAD,5X9X14.5,4HOLES,BLACK	33.01
CWPD1207A-102	PAD,5X9X14.5,4HOLES,RYL BL	33.02
CWPD1207A-103	PAD,5X9X14.5,4HOLES,DVE GRY	33.03
CWPD1207A-104	PAD,5X9X14.5,4HOLES,CROCUS	33.04
CWPD1207A-105	PAD,5X9X14.5,4HOLES,GROTTO	33.05
CWPD1207A-106	PAD,5X9X14.5,4HOLES,,GRAPHITE	33.06
CWPD1207A-107	PAD,5X9X14.5,4HOLES,RED	33.07
CWPD1207A-108	PAD,5X9X14.5,4HOLES,CHN GRN	33.08
CWPD1207A-109	PAD,5X9X14.5,4HOLES,TURQSE	33.09
CWPD1207A-110	PAD,5X9X14.5,4HOLES,RASP	33.1
CWPD1207A-111	PAD,5X9X14.5,4HOLES,PLUM	33.11
CWPD1207A-112	PAD,5X9X14.5,4HOLES,REGIMENT	33.12
CWPD1207A-113	PAD,5X9X14.5,4HOLES,SPC BLUE	33.13
CWPD1207A-115	PAD,5X9X14.5,4HOLES,BLK LTHR	33.15
CWPD1207A-116	PAD,5X9X14.5,4HOLES,NVBL LTH	33.16
CWPD1207A-117	PAD,5X9X14.5,4HOLES,PUTTY	33.17
CWPD1207A-118	PAD,5X9X14.5,4HOLES,IMPRL BL	33.18
CWPD1207A-119	PAD,5X9X14.5,4HOLES,YEW GRN	33.19
CWPD1207A-120	PAD,5X9X14.5,4HOLES,DSTY JD	33.2
CWPD1207A-121	PAD,5X9X14.5,4HOLES,TER COT	33.21
CWPD1207A-122	PAD,5X9X14.5,4HOLES,PAPRIKA	33.22
CWPD1207A-123	PAD,5X9X14.5,4HLS,ASH LTHR	33.23
CWPD1207A-124	PAD,5X9X14.5,4HLS,CERULAN LTHR	33.24
CWPD1207A-125	PAD,5X9X14.5,4HLS,CHARCOAL LTHR	33.25
CWPD1207A-126	PAD,5X9X14.5,4HLS,HUNTER LTHR	33.26

CWPD1207A-127	PAD,5X9X14.5,4HLS,MOSS LTHR	33.27
CWPD1207A-128	PAD,5X9X14.5,4HLS,SPICE LTHR	33.28
CWPD1207A-129	PAD,5X9X14.5,4HLS,TOMATO LTH	33.29
CWPD1210J-101	PAD,ANGL,2PC(7.5X22)(9.69X22),BLK,	34.01
CWPD1210J-102	PAD,ANGL,2PC(7.5X22)(9.69X22),RY BL	34.02
CWPD1210J-103	PAD,ANGL,2PC(7.5X22)(9.69X22),DV GR	34.03
CWPD1210J-104	PAD,ANGL,2PC(7.5X22)(9.69X22),CRCUS	34.04
CWPD1210J-105	PAD,ANGL,2PC(7.5X22)(9.69X22),GROTT	34.05
CWPD1210J-106	PAD,ANGL,2PC(7.5X22)(9.69X22),GRPHT	34.06
CWPD1210J-107	PAD,ANGL,2PC(7.5X22)(9.69X22),RED,	34.07
CWPD1210J-108	PAD,ANGL,2PC(7.5X22)(9.69X22),CHGR,	34.08
CWPD1210J-109	PAD,ANGL,2PC(7.5X22)(9.69X22),TRQS,	34.09
CWPD1210J-110	PAD,ANGL,2PC(7.5X22)(9.69X22),RASP,	34.1
CWPD1210J-111	PAD,ANGL,2PC(7.5X22)(9.69X22),PLUM,	34.11
CWPD1210J-112	PAD,ANGL,2PC(7.5X22)(9.69X22),RGMT,	34.12
CWPD1210J-113	PAD,ANGL,2PC(7.5X22)(9.69X22),SP BL	34.13
CWPD1210J-115	PAD,ANGL,2PC(7.5X22)(9.69X22)BLK LT	34.15
CWPD1210J-116	PAD,ANGL,2PC(7.5X22)(9.69X22)NBL LT	34.16
CWPD1210J-117	PAD,ANGL,2PC(7.5X22)(9.69X22),PUTTY	34.17
CWPD1210J-118	PD,ANGL,2PC(7.5X22)(9.69X22),IMP BL	34.18
CWPD1210J-119	PD,ANGL,2PC(7.5X22)(9.69X22),YW GRN	34.19
CWPD1210J-120	PD,ANGL,2PC(7.5X22)(9.69X22),DST JD	34.2
CWPD1210J-121	PD,ANGL,2PC(7.5X22)(9.69X22),TRA CT	34.21
CWPD1210J-122	PD,ANGL,2PC(7.5X22)(9.69X22),PAPRKA	34.22
CWPD1210J-123	PD,ANGL,2PC,7.5X22,9.69X22,ASH LTHR	34.23
CWPD1210J-124	PD,ANGL,2P,7.5X22,9.69X22,CERLN LTH	34.24
CWPD1210J-125	PD,ANGL,2P,7.5X22,9.69X22,CHRCL LTH	34.25
CWPD1210J-126	PD,ANGL,2PC,7.5X22,9.69X22,HNTR LTH	34.26
CWPD1210J-127	PD,ANGL,2PC,7.5X22,9.69X22,MOSS LTH	34.27
CWPD1210J-128	PD,ANGL,2PC,7.5X22,9.69X22,SPCE LTH	34.28
CWPD1210J-129	PD,ANGL,2PC,7.5X22,9.69X22,TMTO LTH	34.29
CWPF1016-731	BAR,,FLAT CR/HR, 3/8 X 2 X 8 1/4, 3	35
CWSA1501-721	WELDMENT, COUNTER WEIGHT, 2" THK, W	36
CW30093-150	WEIGHT STACK,150 LBS,MTP-S,14 X 10	37
CWHCYN044-375	SCREW, HEX HEAD , BLK XYLA	38
CWKADLN050-081	NUT, ACORN, 1/2-13	39
CWKMYN044-038	NUT, HEX, UNC, 7/16-14, BLK XYLAN	40
CW12537-109	NUT,INSERT,THIN-NUT,LARGE FLANGE	41
CWLDNN031-200	PIN, ROLL, DIA 5/16 X 2.00	42
CWTAYN038-075	SCREW, BUTTON HEAD, BLK XYLAN, 3/8	43
CWTAYN031-100	SCREW, BUTTON HEAD, BLK XYLAN, 5/1	44
CWTAYN031-150	SCREW, BUTTON HEAD, BLK XYLAN,5/16	45
CWBFNN050-250	STUD, 1/2-13 X 2 1/2	46
CWWBKN031-007	WASHER, FLAT, TYPE A, SAE, 5/16 ID	47
CWWBKN038-007	WASHER, FLAT, TYPE A, SAE, 3/8 ID	48
CWWALYN031-008	WASHER, SPLIT, 5/16 ID, BL	49
CWWALYN038-009	WASHER, SPLIT, 3/8 ID, BLK XYLAN	50
CWWALYN044-011	WASHER, SPLIT, 7/16 ID, BLK XYLAN	51
CWWALYN050-013	WASHER, SPLIT, 1/2 ID, BLK XYLAN	52
CW30010-101	LABEL,WARNING STRENGTH	53
CW30135-101	ASSY, LABEL,INSTRUCTION,205	54

CW31756-101	LABEL, PRECOR USA ICARIAN LINE	55
CW31784-731	STOP PLUG, BLK ZN	56
CW12634-101	SPRING, TORSION 90 DEG X 0.484 X 0.	72
CW31770-742	LATCH PIVOTING PIN, CLR ZN	73
CWAMNN028-003	RING, RETAINING, 2-TURN, SPIRAL, SS	74
CW12633-101	ENDCAP, REC TUBE, LDP, 1 1/2 X 3 1	75
CWCP8106-000	CP, ABS CHANNEL, 1/8 X 2 X 4 X 6	77
CW30165-751	ASSY, POP PIN, 0.450 DIA HANDLE, B	78
CW30181-711	ASSY,SEAT SUPPORT,9 HOLE,CHM	79
CWAC220-901	HANDLE END CAP W/SET SCREWS, DIA 3/	101
CWGR2505-000	GRIP,RUBBER,3/4" DIA, 5"	102
CW10510-721	ASSY, PLATE, WEIGHT, 10 LBS, WRKL B	201
CWAC1133-101	BUSHING, WEIGHT PLATE, LDPE PLASTIC	203
CW30172-751	ASSY, 4.00 IN WEIGHT STACK PIN AND	227
CWLDNN038-200	PIN, ROLL, DIA 3/8 X 2	250
CW30184-901	ASSY,BARREL, TOP PLATE,ALUMINUM	251
CW10550-722	PLATE, WEIGHT, MED TOP (MTP-S), 10	283
CW30130-711	SELECTOR STEM, 15 PLATE,0 .875 DIA,	304
CW30011-101	LABEL,WARNING WEIGHT STACK	311
CW12401-106	LABEL, WEIGHT PLATE, 20 LBS/ 8 KG	319
CW12401-110	LABEL, WEIGHT PLATE, 30 LBS/ 13.6 K	323
CW12401-114	LABEL, WEIGHT PLATE, 40 LBS/ 18.2 K	327
CW12401-118	LABEL, WEIGHT PLATE, 50 LBS/ 22.7 K	331
CW12401-120	LABEL, WEIGHT PLATE, 60 LBS/ 27.3 K	332
CW12401-122	LABEL, WEIGHT PLATE, 70 LBS/ 31.8 K	335
CW12401-124	LABEL, WEIGHT PLATE, 80 LBS/ 36.4 K	337
CW12401-126	LABEL, WEIGHT PLATE, 90 LBS/ 40.9 K	339
CW12401-128	LABEL, WEIGHT PLATE, 100 LBS/ 45.5	341
CW12401-129	LABEL, WEIGHT PLATE, 110 LBS/ 50 KG	342
CW12401-130	LABEL, WEIGHT PLATE, 120 LBS/ 54.6	343
CW12401-131	LABEL, WEIGHT PLATE, 130 LBS/ 59.1	344
CW12401-132	LABEL, WEIGHT PLATE, 140 LBS/ 63.6	345
CW12401-133	LABEL, WEIGHT PLATE, 150 LBS/ 68.2	346
CW12537-109	NUT,INSERT,THIN-NUT,LARGE FLANGE	400
CW30126-101	LABEL,VINYL, PRECOR, 3.25 X 18.0	401
CWPF3143-211	SHROUD,SHEET,STEEL,3/32 THICK,4 BEN	402.01
CWPF3143-221	SHROUD,SHEET,STEEL,3/32 THICK,4 BEN	402.02
CWPF3143-231	SHROUD,SHEET,STEEL,3/32 THICK,4 BEN	402.03
CWPF3143-241	SHROUD,SHEET,STEEL,3/32 THICK,4 BEN	402.04
CWPF3143-251	SHROUD,SHEET,STEEL,3/32 THICK,4 BEN	402.05
CWPF3143-261	SHROUD,SHEET,STEEL,3/32 THICK,4 BEN	402.06
CWPF3143-271	SHROUD,SHEET,STEEL,3/32 THICK,4 BEN	402.07
CWPF3143-281	SHROUD,SHEET,STEEL,3/32 THICK,4 BEN	402.08
CWPF3143-291	SHROUD,SHEET,STEEL,3/32 THICK,4 BEN	402.09
CWPF3143-311	SHROUD,SHEET,STEEL,3/32 THICK,4 BEN	402.11
CWPF3143-321	SHROUD,SHEET,STEEL,3/32 THICK,4 BEN	402.12
CWPF3143-331	SHROUD,SHEET,STEEL,3/32 THICK,4 BEN	402.13
CWPF3143-341	SHROUD,SHEET,STEEL,3/32 THICK,4 BEN	402.14
CWPF3143-351	SHROUD,SHEET,STEEL,3/32 THICK,4 BEN	402.15
CWPF3143-361	SHROUD,SHEET,STEEL,3/32 THICK,4 BEN	402.16
CWPF3143-711	SHROUD,SHEET,STEEL,3/32 THICK,4 BEN	402.17



CWPF3144-721	SHROUD BRKT,PLATE,STEEL,1/8 THICK,1	403
CWPF3145-721	SHROUD BRKT,PLATE,STEEL,1/8 THICK,2	404
CWTAYN031-100	SCREW, BUTTON HEAD, BLK XYLAN, 5/1	405
CWWALYN031-008	WASHER, SPLIT, 5/16 ID, BL	406
CWWBKN031-007	WASHER, FLAT, TYPE A, SAE, 5/16 ID	407
CWAC1177-101	FLOOR PROTECTOR, RUBBER, 4.563 X 4.	501
CWAC1178-101	FLOOR PROTECTOR, RUBBER, 2.563 X 6.	502

**205 Bicep Curl**

<b>Part Number</b>	<b>Description</b>	<b>Bubble Number</b>
CW205SA1-211	ASSY,FRAME,MAIN,205,SKY WHITE	1.01
CW205SA1-212	ASSY,FRAME,MAIN,205,SKY WHITE	1.01
CW205SA1-221	ASSY,FRAME,MAIN,205,BLACK	1.02
CW205SA1-222	ASSY,FRAME,MAIN,205,BLACK	1.02
CW205SA1-231	ASSY,FRAME,MAIN,205,RED	1.03
CW205SA1-241	ASSY,FRAME,MAIN,205,PLATINUM SPRKLE	1.04
CW205SA1-251	ASSY,FRAME,MAIN,205,SILVER	1.05
CW205SA1-261	ASSY,FRAME,MAIN,205,BLUE	1.06
CW205SA1-271	ASSY,FRAME,MAIN,205,CHARCOAL	1.07
CW205SA1-281	ASSY,FRAME,MAIN,205,CATHEDRAL GRAY	1.08
CW205SA1-291	ASSY,FRAME,MAIN,205,SILVER VIEN	1.09
CW205SA1-311	ASSY,FRAME,MAIN,205,STONE HG	1.11
CW205SA1-312	ASSY,FRAME,MAIN,205,STONE HG	1.11
CW205SA1-321	ASSY,FRAME,MAIN,205,TITANIUM HG	1.12
CW205SA1-322	ASSY,FRAME,MAIN,205,TITANIUM HG	1.12
CW205SA1-331	ASSY,FRAME,MAIN,205,WHITE GLOSS	1.13
CW205SA1-341	ASSY,FRAME,MAIN,205,BLACK ONYX	1.14
CW205SA1-351	ASSY,FRAME,MAIN,205,LIGHT BRONZE	1.15
CW205SA1-352	ASSY,FRAME,MAIN,205,LIGHT BRONZE	1.15
CW205SA1-361	ASSY,FRAME,MAIN,205,SAPPHIRE BLUE	1.16
CW205SA1-362	ASSY,FRAME,MAIN,205,SAPPHIRE BLUE	1.16
CW204205SA3-211	ASSY, ARM, 204/205,SKY WHITE	2.01
CW204205SA3-221	ASSY, ARM, 204/205,BLACK	2.02
CW204205SA3-231	ASSY, ARM, 204/205,RED	2.03
CW204205SA3-241	ASSY, ARM, 204/205,PLAT SPKLE	2.04
CW204205SA3-251	ASSY, ARM, 204/205,SILVER	2.05
CW204205SA3-261	ASSY, ARM, 204/205,BLUE	2.06
CW204205SA3-271	ASSY, ARM, 204/205,CHARCOAL	2.07
CW204205SA3-281	ASSY, ARM, 204/205,CATH GRY	2.08
CW204205SA3-291	ASSY, ARM, 204/205,SILVER VIEN	2.09
CW204205SA3-311	ASSY, ARM, 204/205,STONE GRAY, HG	2.11
CW204205SA3-321	ASSY, ARM, 204/205,TITANIUM HG	2.12
CW204205SA3-331	ASSY, ARM, 204/205,WHITE GLOSS	2.13
CW204205SA3-341	ASSY, ARM, 204/205,BLACK ONYX	2.14
CW204205SA3-351	ASSY, ARM, 204/205,LIGHT BRONZE	2.15
CW204205SA3-361	ASSY, ARM, 204/205,SAPPHIRE BLUE	2.16
CW205SA4-211	ASSY,CAM,205, SKY WHITE	3.01
CW205SA4-221	ASSY,CAM,205, BLACK	3.02
CW205SA4-241	ASSY,CAM,205, PLATINUM SPARKLE	3.04
CW205SA4-251	ASSY,CAM,205,SILVER	3.05
CW205SA4-261	ASSY,CAM,205,BLUE	3.06
CW205SA4-271	ASSY,CAM,205,CHARCOAL	3.07
CW205SA4-281	ASSY,CAM,205,CATHEDRAL GRAY	3.08
CW205SA4-291	ASSY,CAM,205,SILVER VEIN	3.09
CW205SA4-311	ASSY,CAM,205,STONE HG	3.11
CW205SA4-321	ASSY,CAM,205,TITANIUM HG	3.12
CW205SA4-331	ASSY,CAM,205,WHITE GLOSS	3.13
CW205SA4-341	ASSY,CAM,205,BLACK ONYX	3.14
CW205SA4-351	ASSY,CAM,205,LIGHT BRONZE	3.15

CW205SA4-361	ASSY,CAM,205,SAPPHIRE BLUE	3.16
CW30024-101	LABEL,INSTRUCTION,205	4
CWAC1001-101	LABEL, "ICARIAN", 1 1/2 X 8 1/8	5
CWAC1002-101	LABEL, "ICARIAN", 3 X 16 3/8	6
CWAC1009-101	PULLEY, 4 1/2 DIA. X 1/2 ID	7
CW10043-135	BUSHING, BRONZE, 1 1/4" ID X 1 1/2"	8
CW12405-101	PILLOW BLOCK, BEARING, FLANGE, 4 BO	9
CW12404-101	CAP, GUIDE ROD,DIA 3/4, BLK	10
CW11311-102	ENDCAP, REC TUBE, 2X4, BLK PLASTIC	12
CW12402-101	BUMPER, WEIGHT STACK, BLK RUBBER	13
CWAC1164-101	LABEL, F.P.I. SERIAL NUMBER	15
CWGR2611-000	GRIP,RUBBER, 1" DIA, 11"	18
CWAC1228-901	SPACER, ALU,.328 ID X .625 OD X .25	19
CW30007-101	PLACARD, CLEAR LEXAN, ANGLED	20
CWAC1230-101	PLACARD,INSTRUCTION,1/4 TEXTURED AB	20
CWAC1232-101	LABEL, ROUND, "PIVOT"	21
CWAC1236-102	GUIDE INSERT, PLASTIC WITH HOLE, BL	22
CWAC218-901	HANDLE END CAP W/SET SCREWS, DIA 1"	23
CWAC221-901	SHAFT END CAP W/SET SCREWS, DIA 1 1	25
CWPF1212-711	GUIDE ROD, 3/4 X 42 5/8 (#4), CHM	26
CW32215-711	ASSEMBLY, SEAT ADJUSTMENT, 8 HOLE,	27
CW10340-200	TUBE, VINYL, 5/8 OD X 3/8 ID X 2.0	28
CWAC1236-101	GUIDE INSERT, PLASTIC WITHOUT HOLE,	29
CWGR2603-500	GRIP,RUBBER,1" DIA X 3 1/2"	30
CWCLGH056-125	ASSY, CABLE, 205	31
CW30182-721	ASSY,CAMBER & BICEP CURL HANDLE,WRN	32
CWPD1207A-101	PAD,5X9X14.5,4HOLES,BLACK	33.01
CWPD1207A-102	PAD,5X9X14.5,4HOLES,RYL BL	33.02
CWPD1207A-103	PAD,5X9X14.5,4HOLES,DVE GRY	33.03
CWPD1207A-104	PAD,5X9X14.5,4HOLES,CROCUS	33.04
CWPD1207A-105	PAD,5X9X14.5,4HOLES,GROTTO	33.05
CWPD1207A-106	PAD,5X9X14.5,4HOLES,,GRAPHITE	33.06
CWPD1207A-107	PAD,5X9X14.5,4HOLES,RED	33.07
CWPD1207A-108	PAD,5X9X14.5,4HOLES,CHN GRN	33.08
CWPD1207A-109	PAD,5X9X14.5,4HOLES,TURQSE	33.09
CWPD1207A-110	PAD,5X9X14.5,4HOLES,RASP	33.1
CWPD1207A-111	PAD,5X9X14.5,4HOLES,PLUM	33.11
CWPD1207A-112	PAD,5X9X14.5,4HOLES,REGIMENT	33.12
CWPD1207A-113	PAD,5X9X14.5,4HOLES,SPC BLUE	33.13
CWPD1207A-115	PAD,5X9X14.5,4HOLES,BLK LTHR	33.15
CWPD1207A-116	PAD,5X9X14.5,4HOLES,NVBL LTH	33.16
CWPD1207A-117	PAD,5X9X14.5,4HOLES,PUTTY	33.17
CWPD1207A-118	PAD,5X9X14.5,4HOLES,IMPRL BL	33.18
CWPD1207A-119	PAD,5X9X14.5,4HOLES,YEW GRN	33.19
CWPD1207A-120	PAD,5X9X14.5,4HOLES,DSTY JD	33.2
CWPD1207A-121	PAD,5X9X14.5,4HOLES,TER COT	33.21
CWPD1207A-122	PAD,5X9X14.5,4HOLES,PAPRIKA	33.22
CWPD1207A-123	PAD,5X9X14.5,4HLS,ASH LTHR	33.23
CWPD1207A-124	PAD,5X9X14.5,4HLS,CERULAN LTHR	33.24
CWPD1207A-125	PAD,5X9X14.5,4HLS,CHARCOAL LTHR	33.25
CWPD1207A-126	PAD,5X9X14.5,4HLS,HUNTER LTHR	33.26

CWPD1207A-127	PAD,5X9X14.5,4HLS,MOSS LTHR	33.27
CWPD1207A-128	PAD,5X9X14.5,4HLS,SPICE LTHR	33.28
CWPD1207A-129	PAD,5X9X14.5,4HLS,TOMATO LTH	33.29
CWPD1210J-101	PAD,ANGL,2PC(7.5X22)(9.69X22),BLK,	34.01
CWPD1210J-102	PAD,ANGL,2PC(7.5X22)(9.69X22),RY BL	34.02
CWPD1210J-103	PAD,ANGL,2PC(7.5X22)(9.69X22),DV GR	34.03
CWPD1210J-104	PAD,ANGL,2PC(7.5X22)(9.69X22),CRCUS	34.04
CWPD1210J-105	PAD,ANGL,2PC(7.5X22)(9.69X22),GROTT	34.05
CWPD1210J-106	PAD,ANGL,2PC(7.5X22)(9.69X22),GRPHT	34.06
CWPD1210J-107	PAD,ANGL,2PC(7.5X22)(9.69X22),RED,	34.07
CWPD1210J-108	PAD,ANGL,2PC(7.5X22)(9.69X22),CHGR,	34.08
CWPD1210J-109	PAD,ANGL,2PC(7.5X22)(9.69X22),TRQS,	34.09
CWPD1210J-110	PAD,ANGL,2PC(7.5X22)(9.69X22),RASP,	34.1
CWPD1210J-111	PAD,ANGL,2PC(7.5X22)(9.69X22),PLUM,	34.11
CWPD1210J-112	PAD,ANGL,2PC(7.5X22)(9.69X22),RGMT,	34.12
CWPD1210J-113	PAD,ANGL,2PC(7.5X22)(9.69X22),SP BL	34.13
CWPD1210J-115	PAD,ANGL,2PC(7.5X22)(9.69X22)BLK LT	34.15
CWPD1210J-116	PAD,ANGL,2PC(7.5X22)(9.69X22)NBL LT	34.16
CWPD1210J-117	PAD,ANGL,2PC(7.5X22)(9.69X22),PUTTY	34.17
CWPD1210J-118	PD,ANGL,2PC(7.5X22)(9.69X22),IMP BL	34.18
CWPD1210J-119	PD,ANGL,2PC(7.5X22)(9.69X22),YW GRN	34.19
CWPD1210J-120	PD,ANGL,2PC(7.5X22)(9.69X22),DST JD	34.2
CWPD1210J-121	PD,ANGL,2PC(7.5X22)(9.69X22),TRA CT	34.21
CWPD1210J-122	PD,ANGL,2PC(7.5X22)(9.69X22),PAPRKA	34.22
CWPD1210J-123	PD,ANGL,2PC,7.5X22,9.69X22,ASH LTHR	34.23
CWPD1210J-124	PD,ANGL,2P,7.5X22,9.69X22,CERLN LTH	34.24
CWPD1210J-125	PD,ANGL,2P,7.5X22,9.69X22,CHRCL LTH	34.25
CWPD1210J-126	PD,ANGL,2PC,7.5X22,9.69X22,HNTR LTH	34.26
CWPD1210J-127	PD,ANGL,2PC,7.5X22,9.69X22,MOSS LTH	34.27
CWPD1210J-128	PD,ANGL,2PC,7.5X22,9.69X22,SPCE LTH	34.28
CWPD1210J-129	PD,ANGL,2PC,7.5X22,9.69X22,TMTO LTH	34.29
CWPF1016-731	BAR,,FLAT CR/HR, 3/8 X 2 X 8 1/4, 3	35
CWSA1501-721	WELDMENT, COUNTER WEIGHT, 2" THK, W	36
CW30093-150	WEIGHT STACK,150 LBS,MTP-S,14 X 10	37
CWHCYN044-375	SCREW, HEX HEAD , BLK XYLA	38
CWKADLN050-081	NUT, ACORN, 1/2-13	39
CWKMYN044-038	NUT, HEX, UNC, 7/16-14, BLK XYLAN	40
CW12537-109	NUT,INSERT,THIN-NUT,LARGE FLANGE	41
CWLDNN031-200	PIN, ROLL, DIA 5/16 X 2.00	42
CWTAYN038-075	SCREW, BUTTON HEAD, BLK XYLAN, 3/8	43
CWTAYN031-100	SCREW, BUTTON HEAD, BLK XYLAN, 5/1	44
CWTAYN031-150	SCREW, BUTTON HEAD, BLK XYLAN,5/16	45
CWBFNN050-250	STUD, 1/2-13 X 2 1/2	46
CWWBKN031-007	WASHER, FLAT, TYPE A, SAE, 5/16 ID	47
CWWBKN038-007	WASHER, FLAT, TYPE A, SAE, 3/8 ID	48
CWWALYN031-008	WASHER, SPLIT, 5/16 ID, BL	49
CWWALYN038-009	WASHER, SPLIT, 3/8 ID, BLK XYLAN	50
CWWALYN044-011	WASHER, SPLIT, 7/16 ID, BLK XYLAN	51
CWWALYN050-013	WASHER, SPLIT, 1/2 ID, BLK XYLAN	52
CW30010-101	LABEL,WARNING STRENGTH	53
CW30135-101	ASSY, LABEL,INSTRUCTION,205	54

CW31756-101	LABEL, PRECOR USA ICARIAN LINE	55
CW31784-731	STOP PLUG, BLK ZN	56
CW12634-101	SPRING, TORSION 90 DEG X 0.484 X 0.	72
CW31770-742	LATCH PIVOTING PIN, CLR ZN	73
CWAMNN028-003	RING, RETAINING, 2-TURN, SPIRAL, SS	74
CW12633-101	ENDCAP, REC TUBE, LDP, 1 1/2 X 3 1	75
CWCP8106-000	CP, ABS CHANNEL, 1/8 X 2 X 4 X 6	77
CW30165-751	ASSY, POP PIN, 0.450 DIA HANDLE, B	78
CW30181-711	ASSY,SEAT SUPPORT,9 HOLE,CHM	79
CWAC220-901	HANDLE END CAP W/SET SCREWS, DIA 3/	101
CWGR2505-000	GRIP,RUBBER,3/4" DIA, 5"	102
CW10510-721	ASSY, PLATE, WEIGHT, 10 LBS, WRKL B	201
CWAC1133-101	BUSHING, WEIGHT PLATE, LDPE PLASTIC	203
CW30172-751	ASSY, 4.00 IN WEIGHT STACK PIN AND	227
CWLDNN038-200	PIN, ROLL, DIA 3/8 X 2	250
CW30184-901	ASSY,BARREL, TOP PLATE,ALUMINUM	251
CW10550-722	PLATE, WEIGHT, MED TOP (MTP-S), 10	283
CW30130-711	SELECTOR STEM, 15 PLATE,0 .875 DIA,	304
CW30011-101	LABEL,WARNING WEIGHT STACK	311
CW12401-106	LABEL, WEIGHT PLATE, 20 LBS/ 8 KG	319
CW12401-110	LABEL, WEIGHT PLATE, 30 LBS/ 13.6 K	323
CW12401-114	LABEL, WEIGHT PLATE, 40 LBS/ 18.2 K	327
CW12401-118	LABEL, WEIGHT PLATE, 50 LBS/ 22.7 K	331
CW12401-120	LABEL, WEIGHT PLATE, 60 LBS/ 27.3 K	332
CW12401-122	LABEL, WEIGHT PLATE, 70 LBS/ 31.8 K	335
CW12401-124	LABEL, WEIGHT PLATE, 80 LBS/ 36.4 K	337
CW12401-126	LABEL, WEIGHT PLATE, 90 LBS/ 40.9 K	339
CW12401-128	LABEL, WEIGHT PLATE, 100 LBS/ 45.5	341
CW12401-129	LABEL, WEIGHT PLATE, 110 LBS/ 50 KG	342
CW12401-130	LABEL, WEIGHT PLATE, 120 LBS/ 54.6	343
CW12401-131	LABEL, WEIGHT PLATE, 130 LBS/ 59.1	344
CW12401-132	LABEL, WEIGHT PLATE, 140 LBS/ 63.6	345
CW12401-133	LABEL, WEIGHT PLATE, 150 LBS/ 68.2	346
CW12537-109	NUT,INSERT,THIN-NUT,LARGE FLANGE	400
CW30126-101	LABEL,VINYL, PRECOR, 3.25 X 18.0	401
CWPF3143-211	SHROUD,SHEET,STEEL,3/32 THICK,4 BEN	402.01
CWPF3143-221	SHROUD,SHEET,STEEL,3/32 THICK,4 BEN	402.02
CWPF3143-231	SHROUD,SHEET,STEEL,3/32 THICK,4 BEN	402.03
CWPF3143-241	SHROUD,SHEET,STEEL,3/32 THICK,4 BEN	402.04
CWPF3143-251	SHROUD,SHEET,STEEL,3/32 THICK,4 BEN	402.05
CWPF3143-261	SHROUD,SHEET,STEEL,3/32 THICK,4 BEN	402.06
CWPF3143-271	SHROUD,SHEET,STEEL,3/32 THICK,4 BEN	402.07
CWPF3143-281	SHROUD,SHEET,STEEL,3/32 THICK,4 BEN	402.08
CWPF3143-291	SHROUD,SHEET,STEEL,3/32 THICK,4 BEN	402.09
CWPF3143-311	SHROUD,SHEET,STEEL,3/32 THICK,4 BEN	402.11
CWPF3143-321	SHROUD,SHEET,STEEL,3/32 THICK,4 BEN	402.12
CWPF3143-331	SHROUD,SHEET,STEEL,3/32 THICK,4 BEN	402.13
CWPF3143-341	SHROUD,SHEET,STEEL,3/32 THICK,4 BEN	402.14
CWPF3143-351	SHROUD,SHEET,STEEL,3/32 THICK,4 BEN	402.15
CWPF3143-361	SHROUD,SHEET,STEEL,3/32 THICK,4 BEN	402.16
CWPF3143-711	SHROUD,SHEET,STEEL,3/32 THICK,4 BEN	402.17

CWPF3144-721	SHROUD BRKT,PLATE,STEEL,1/8 THICK,1	403
CWPF3145-721	SHROUD BRKT,PLATE,STEEL,1/8 THICK,2	404
CWTAYN031-100	SCREW, BUTTON HEAD, BLK XYLAN, 5/1	405
CWWALYN031-008	WASHER, SPLIT, 5/16 ID, BL	406
CWWBKN031-007	WASHER, FLAT, TYPE A, SAE, 5/16 ID	407
CWAC1177-101	FLOOR PROTECTOR, RUBBER, 4.563 X 4.	501
CWAC1178-101	FLOOR PROTECTOR, RUBBER, 2.563 X 6.	502